

Limit Switch Box
Explosion Proof Type



SPECIFICATION

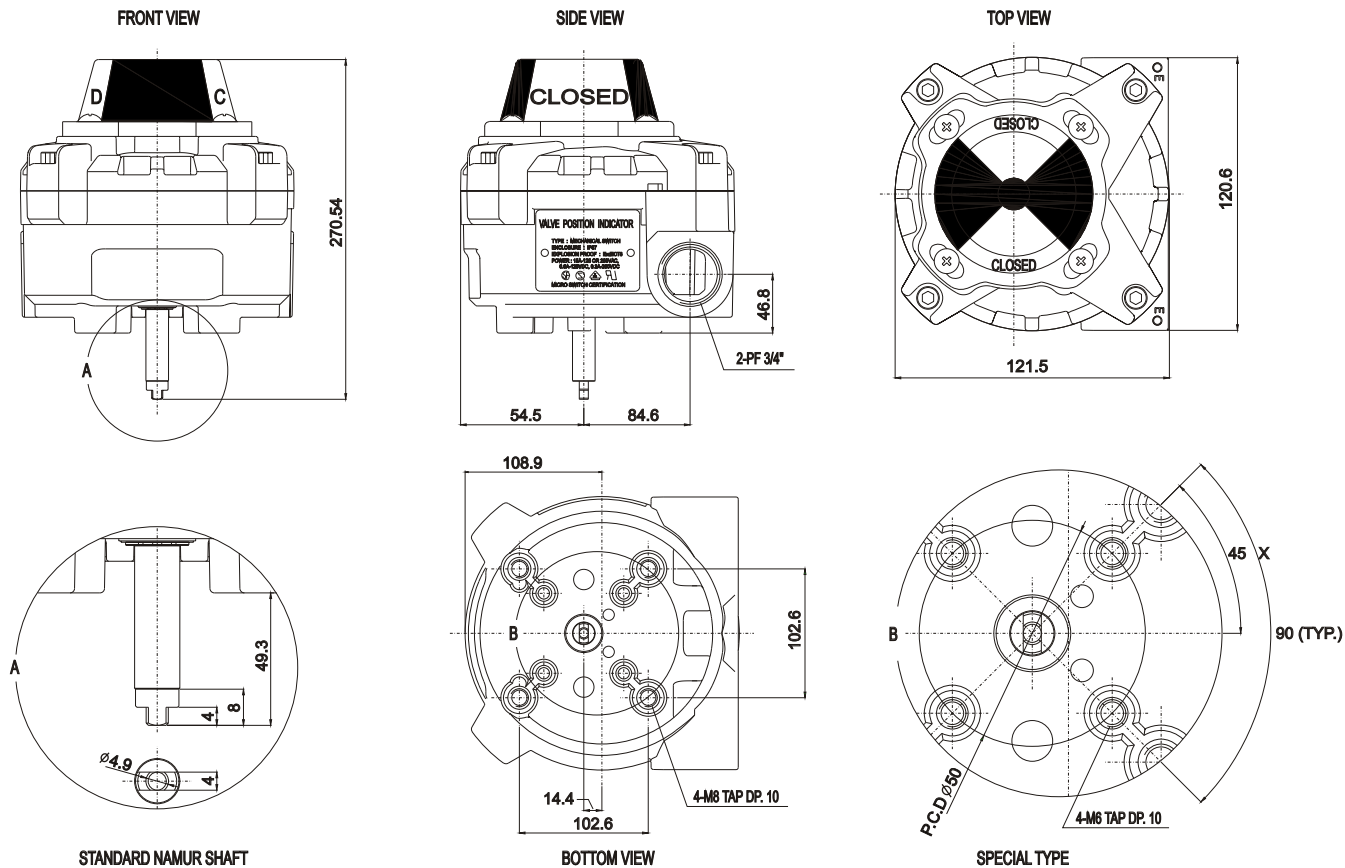
- * Explosion proof (Exd II CT6)
- * 2-PSDT mechanical switches
- * VDI/VDE 3845 standard
- * With open/closed position indicator
- * Mounting bracket

Features

- * Ambient Temperature: -20°C to +85°C
- * Conduit Entries: PF 3/4"
- * Terminal Strips: 8 points
- * Position indicator: Closed(red), Open(yellow)
- * Aluminium die casting housing
- * Polyester powder coating

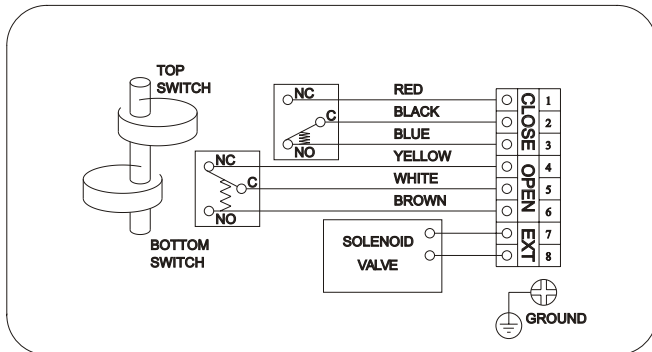
OPTION

- * Proximity sensor



Wiring Diagram

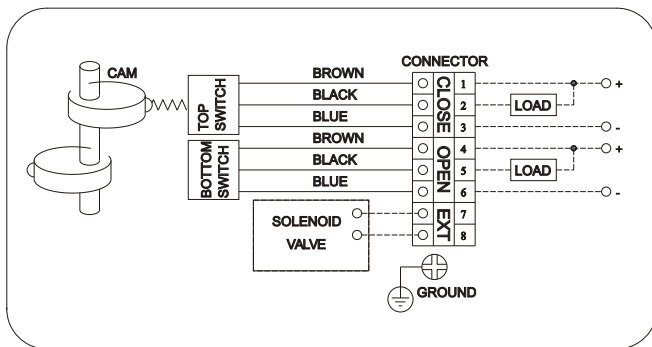
Mechanical Switch (2 SPDT)



MICRO SWITCH
USED IN APPROVED.
TYPE : MECHANICAL SWITCH
POWER : 15A-125 OR 250V AC,
0.6A-125V DC, 0.3A-250V DC

Proximity Switch

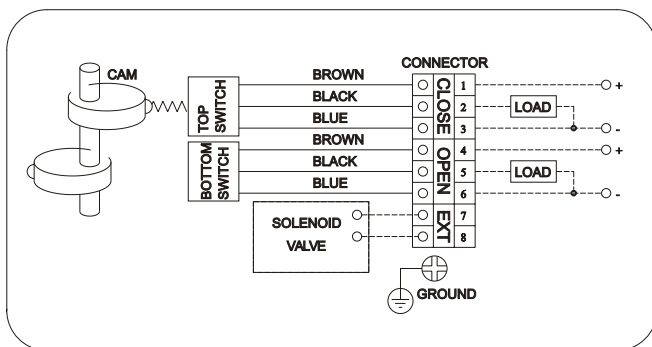
(Output Type : NPN)



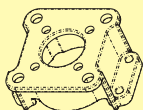
PROXIMITY SWITCH
USED IN APPROVED.
TYPE : PROXIMITY SWITCH
POWER SUPPLY : 12~24V DC
(OPERATING VOLTAGE : 10~30V DC)

Proximity Switch

(Output Type : PNP)



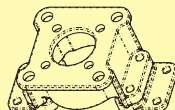
STANDARD BRACKET :



30*80*20

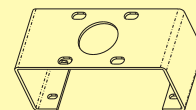
(ALUMINIUM)

OPTIONS :



30*80*30
30*130*30

(ALUMINIUM)



30*80*20
30*130*30
30*130*50

(STEEL)