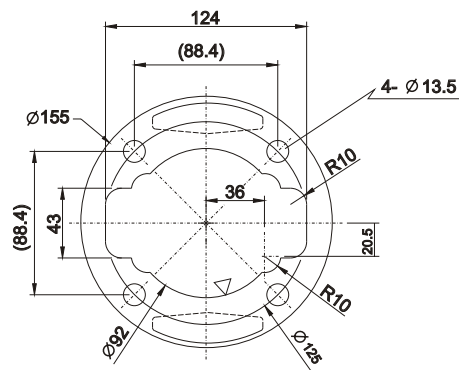


FOR MOUNTING ACTUATOR & GEAR BOX
SIZE: 1/4"-12"

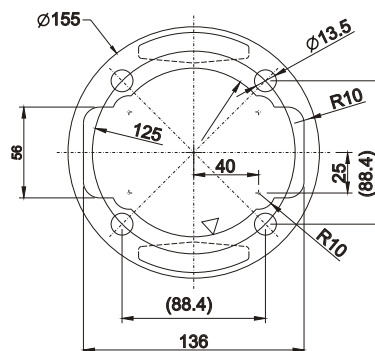


SPECIFICATION

- * casted bracket
- * both bracket & adaptor with phosphate treatment
- * special adaptor for connected dimension of automation



207F, 5" & 6" Bracket Machining



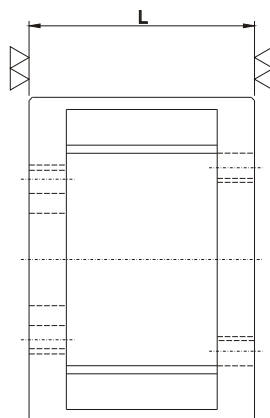
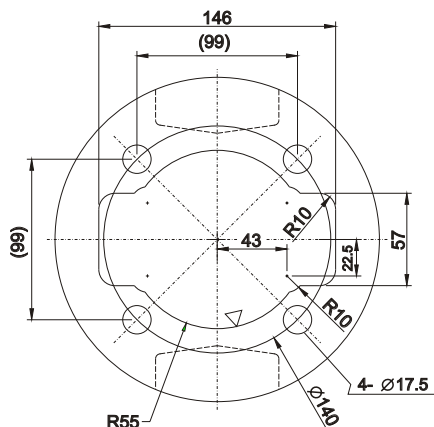
207F, 8" & 10" Bracket Machining
501F, 6" & 8" Bracket machining

ZIPSON'S BR05 & AD05 are the bracket & adaptor for valves on mounting the actuator or gear box.

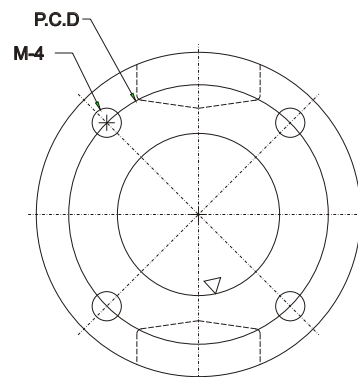
BR05-Casted is casted bracket as a supporter for mounting the larger actuator & heavy gear operator. BR05-1 to BR05-3 are the bracket by bending the SS plate. Bracket are designed for some Chemical industries who always ask bracket to raise the operation application or the pipe line for high temperature or corrodent media to protect the automation application. BR05 series is designed for valve size from 1/4" (Dn08) to 12" (DN300), both for 2-way or 3/4-way ball valves.

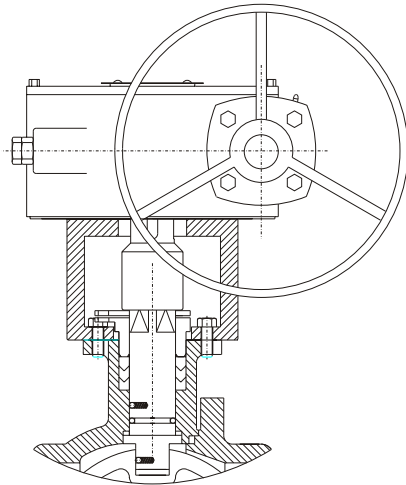
AD05 is well designed with BR05. This special device is made according the connected dimensions of customer's actuator or gear operator.

Both BR05 bracket & AD05 adaptor are with phosphate treatment to prevent from corrosion.

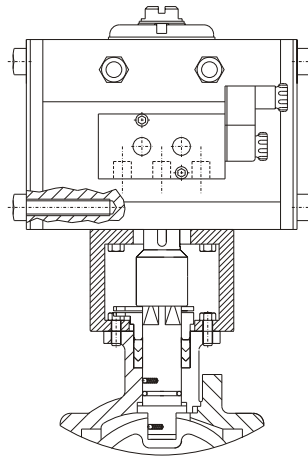


207F, 12" Bracket Machining

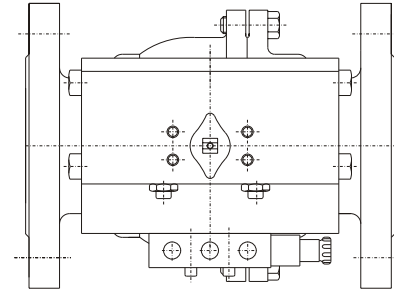




BR05 & AD05 for gear operator

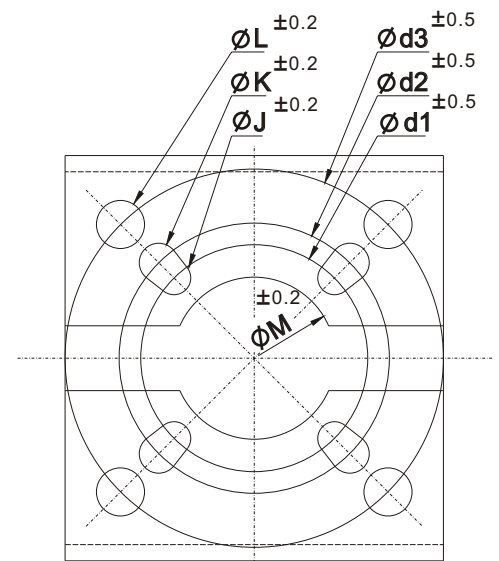
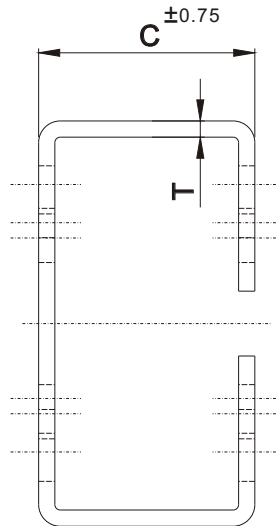
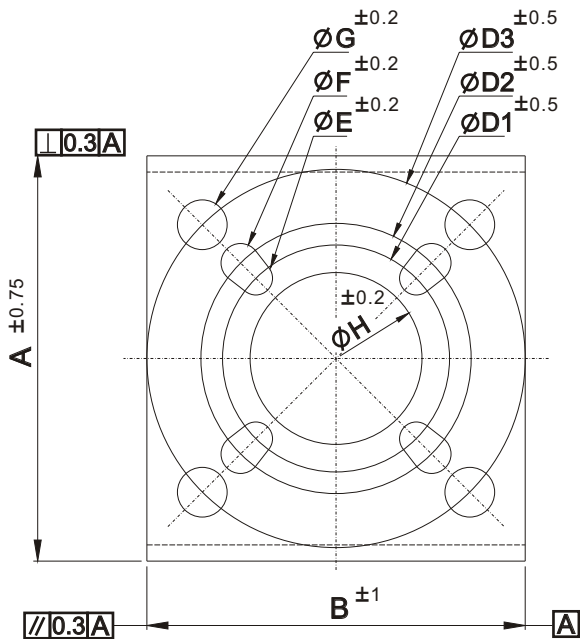


BR05 & AD05 for pneumatic actuator



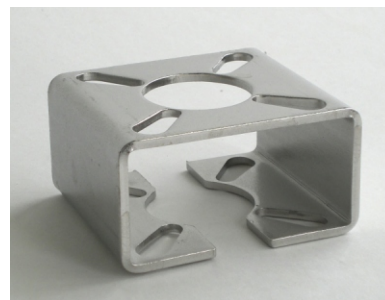
DIMENSIONS (mm)

BR05-CASTED	207F 2-piece valve	501F 3/4-way valve	L	M	P.C.D.
NO#.: C1	5"-6"	2-1/2"-4"	115	∅14	∅125
NO#.: C2	8"-10"	6"-8"	115	∅18	∅160
NO#.: C3	12"		139	∅18	∅160



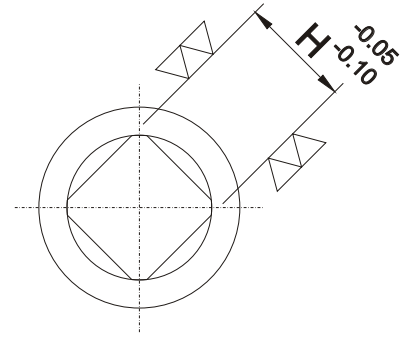
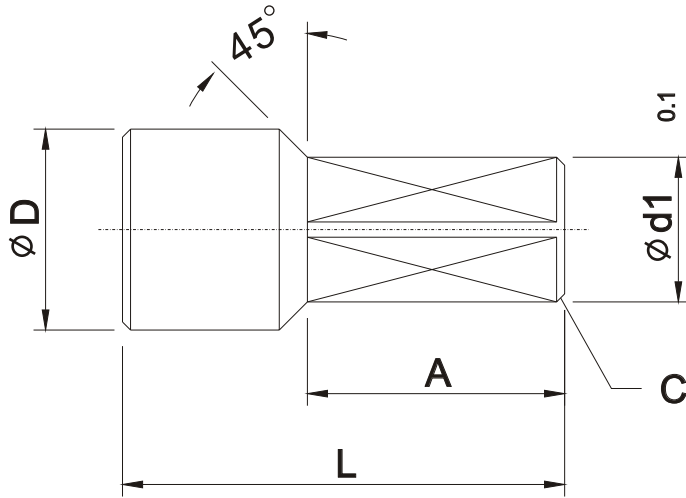
BR05 for valve size 1/4" (DN08) to 4" (Dn100).

BR05	ISO 5211
NO#.: 1	F03, F04, F05 x F03, F04, F05
NO#.: 2	F04, F05, F07 x F04, F05, F07
NO#.: 3	F07, F10, F12 x F07, F10



DIMENSIONS (mm)

BR05	A	B	C	T	D1	D2	D3	E	F	G	H	d1	d2	d3	J	K	L	M
NO#.: 1	57	50	38	3	36	42	50	6.5	-	7.5	27	36	42	50	6.5	-	7.5	27
NO#.: 2	74.5	65	40	3	40	50	70	6.5	-	9.5	33	42	50	70	6.5	-	9.5	33
NO#.: 3	110.5	122.5	70	4	70	102	125	9.5	12	14.5	58.3	70	102	-	9.5	12.5	-	56.5



DIMENSIONS (mm)

AD05	A	L	D	d1	H	C	BRACKET
NO#.: 1	30	50	20	14	11	1	BR05-1
NO#.: 2	32	55	25	18	14	1	BR05-2
NO#.: 3	53	88	30	20	17	1.2	BR05-3
NO#.: 4	58	93	38	28	22	1.2	BR05-3

AD05	OPTION (mm)
NO#.: 1	Blank x 11, 9 x 11, 11 x 11
NO#.: 2	Blank x 14, 9 x 14, 11 x 14, 14 x 14
NO#.: 3	Blank x 17, 11 x 17, 14 x 17, 17 x 17
NO#.: 4	Blank x 22, 14 x 22, 17 x 22, 22 x 22