



SPECIFICATION

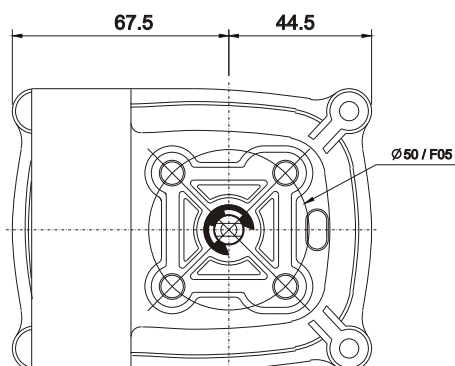
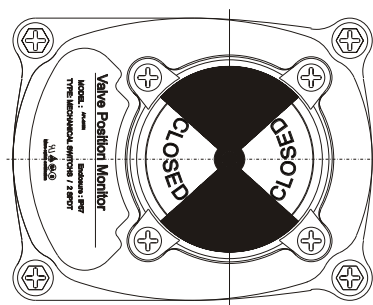
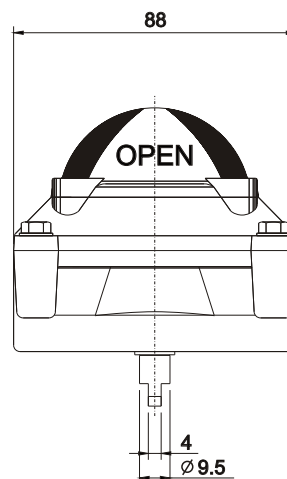
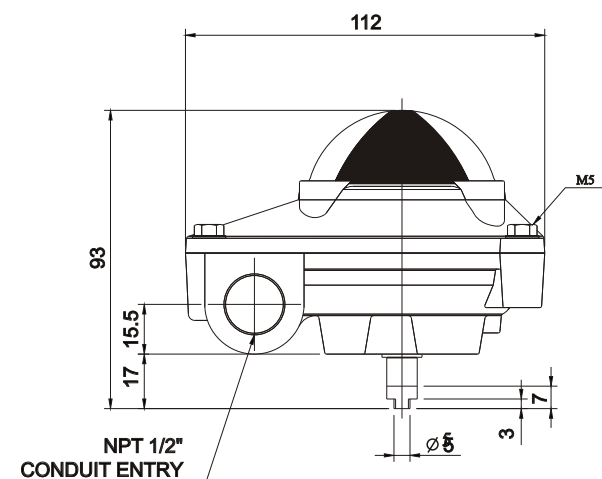
- * Weatherproof Ip67/ NEMA 4 & 4X
- * 2SPDT Mechanical switches
- * Solid and compact design
- * With open/closed position indicator
- * NAMUR std. Mounting bracket

Features

- * Ambient Temperature: -20°C to +80°C
- * Dual cable entries: 2 x 1/2" NPT
- * Terminal Strips: 8 points
- * Position indicator: Closed(red), Open(yellow)
- * Aluminium die casting housing
- * Polyester powder coating

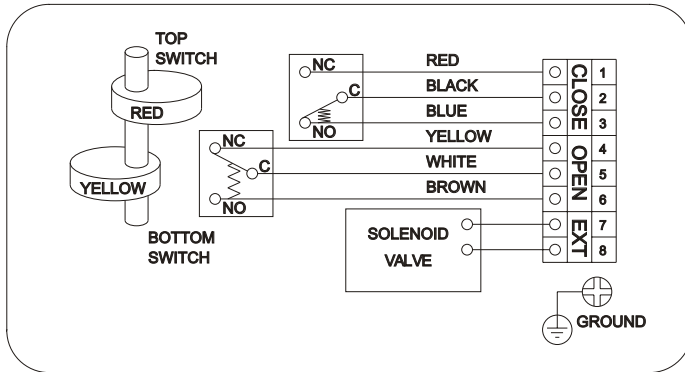
OPTION

- * Proximity sensor



Wiring Diagram

Mechanical Switch (2 SPDT)



MICRO SWITCH

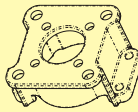
USED IN APPROVED

TYPE : MECHANICAL SWITCH

POWER : 15A-125 OR 250V AC,

0.6A-125V DC, 0.3A-250V DC

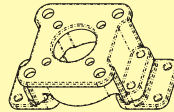
STANDARD BRACKET :



30*80*20

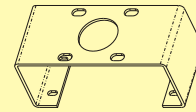
(ALUMINIUM)

OPTIONS :



(ALUMINIUM)

30*80*30
30*130*30



(STEEL)

30*80*20
30*130*30
30*130*50