

FOR 2-WAY/3-WAY BALL VALVE
SIZE: 2-1/2"-12"

MATERIALS LIST

NO.	PARTS NAME	MATERIALS	Q'TY
1	END COVER	CAST IRON	1
2	WORM GEAR	STEEL	1
3	HOUSING	CAST IRON	1
4	BEARING	STEEL	2
5	SHAFT END COVER	CAST IRON	1
6	SHAFT SEAL		1
7	GREASE FITTING	STEEL	1
8	O-RING	BUNA-N	2
9	CAP SCREW	STEEL	8
10	SEGMENT	DUCTILE IRON	1
11	CAP SCREW	STEEL	2
12	NUT	STEEL	2
13	HOUSING COVER	CAST IRON	1
14	CAP SCREW	STEEL	6
15	WASHER	STEEL	2
16	CAP SCREW	STEEL	2
17	INDICATOR	ALUMINUM	1



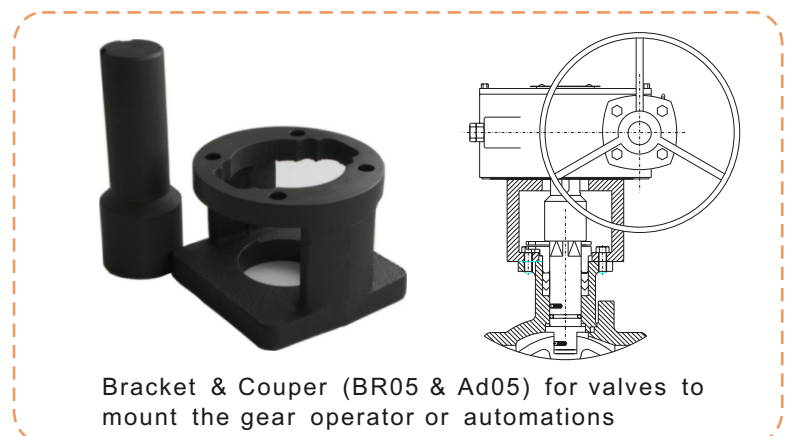
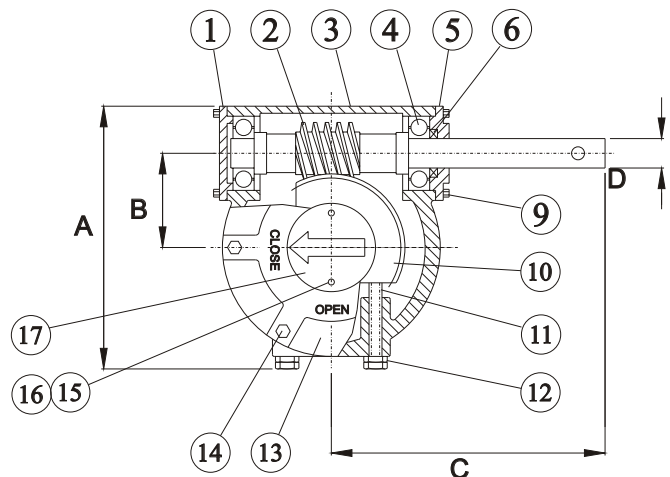
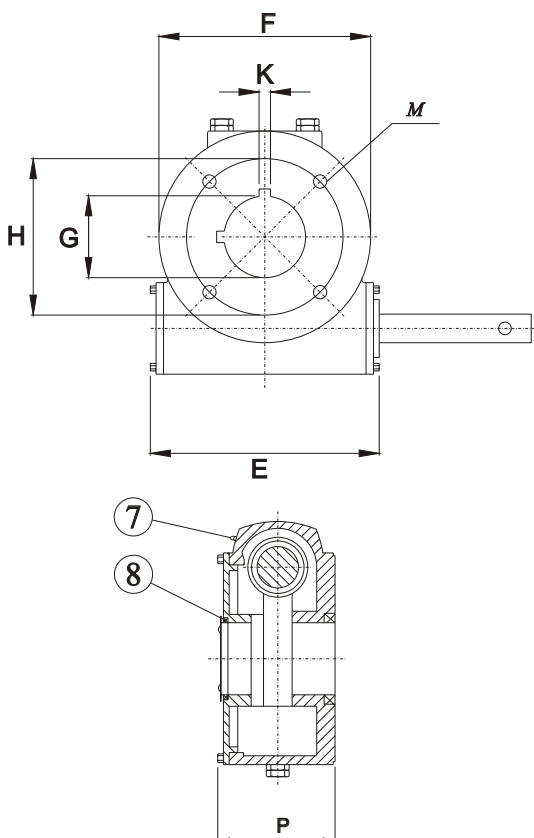
ZIPSON'S 950G, gear operator was designed for larger size ball valve to operate by manual in more easy way.

905G series offer 30:1/ 50:1/ 80:1 three different gear ratio with handle wheel in 12" & 16" for different size ball valve both in 2-way & 3-way types.

950G is suitable for ZIPSON'S casted bracket & adaptor Br05 & Ad05 series.

OPTION

* Bracket & Couper (BR05 & AD05)



Bracket & Couper (BR05 & Ad05) for valves to mount the gear operator or automations

TORQUE VALUE (in/lb & Nm)

ITEM	RATIO	207F	501F/ 501T	TORQUE VALUE		HANDLE WHEEL
				in/ lb	Nm	
950G-1	30 : 1	2 1/2"-4"	2 1/2"-4"	8000	900	12"
950G-2	50 : 1	5"-8"	5"	13000	1450	12"
950G-3	80 : 1	10"-12"	6"-10"	24000	2700	16"

DIMENSIONS (inch)

RATIO	A	B	C	D	E	F	G	H	P	K	M
30 : 1	7.50	2.563	8.00	0.75	6.562	6.156	Ø1.25	Ø3.25	3.406	0.375	M10
50 : 1	8.00	3.156	8.00	0.75	6.719	7.00	Ø1.634	Ø4.75	3.563	0.394	M12
80 : 1	12.0	4.625	10.00	1.00	9.281	10.00	Ø2.00	Ø6.00	4.719	0.394	M16

DIMENSIONS (mm)

RATIO	A	B	C	D	E	F	G	H	P	K	M
30 : 1	190.5	65.1	203.2	19.05	166.7	156.4	Ø31.75	Ø102	86.5	9.53	M10
50 : 1	203.2	80.1	203.2	19.05	170.7	177.8	Ø41.5	Ø125	90.5	10.01	M12
80 : 1	304.8	117.4	245.0	25.4	235.7	254.0	Ø50.8	Ø160	119.9	10.01	M16