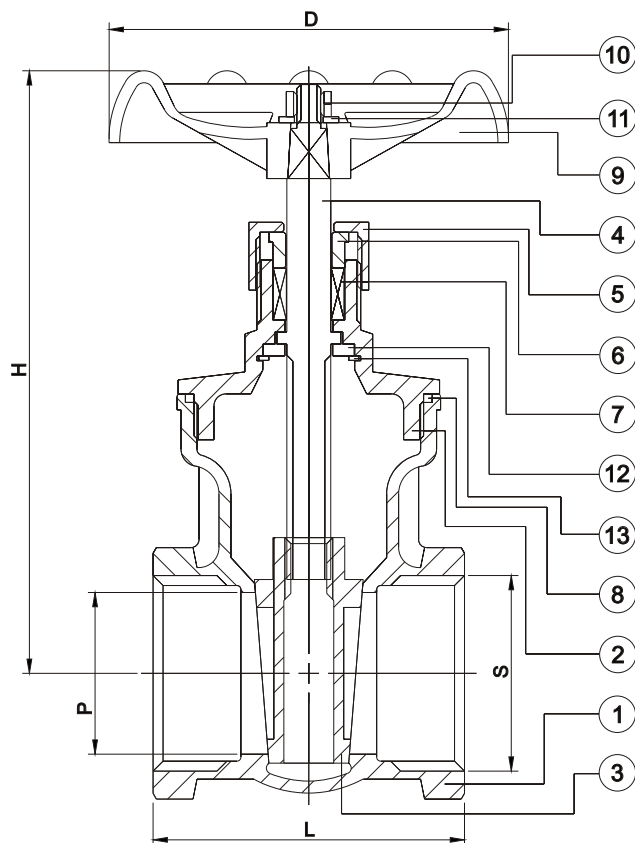


200WOG/ PN 14
SIZE: 1/2"-3"

SPECIFICATION

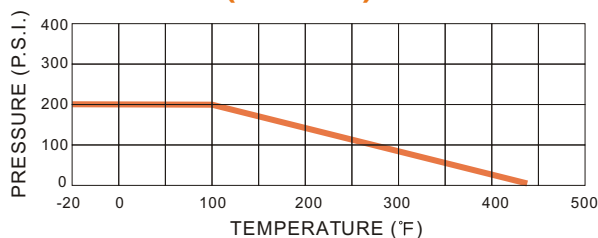
- * Body & end caps quality investment casting
- * 200 WOG working pressure
- * Size range: 1/2" to 3"
- * Non-rising stem, non-rising handwheel



DIMENSIONS (mm)

SIZE	P	L	H	D	S+0.5
1/2"	16.1	57.0	101.0	62.0	21.8
3/4"	20.3	60.5	108.0	62.0	27.1
1"	26.0	67.0	118.0	74.0	33.8
1-1/4"	31.8	76.0	129.0	74.0	42.6
1-1/2"	38.0	87.0	173.0	95.0	48.7
2"	48.3	94.0	186.0	100.0	61.2
2-1/2"	62.0	116.0	260.0	121.0	-
3"	76.0	131.0	295.0	121.0	-

PRESSURE/ TEMPERATURE (BODY)



MATERIALS LIST

ITEM	PART NAME	MATERIALS
1	BODY	CF8M
2	BONNET	CF8M
3	DISC	CF8M
4	STEM	SS 316
5	GLAND NUT	CF8M
6	GLAND	CF8M
7	PACKING	PTFE
8	GASKET	PTFE
9	HANDWHEEL	FC 20
10	NUT	SS 304
11	WASHER	SS 304
12	WASHER	SS 304
13	C-SNAP RING	SS 301