

1000WOG/ PN 63
SIZE: 1/4"-2"



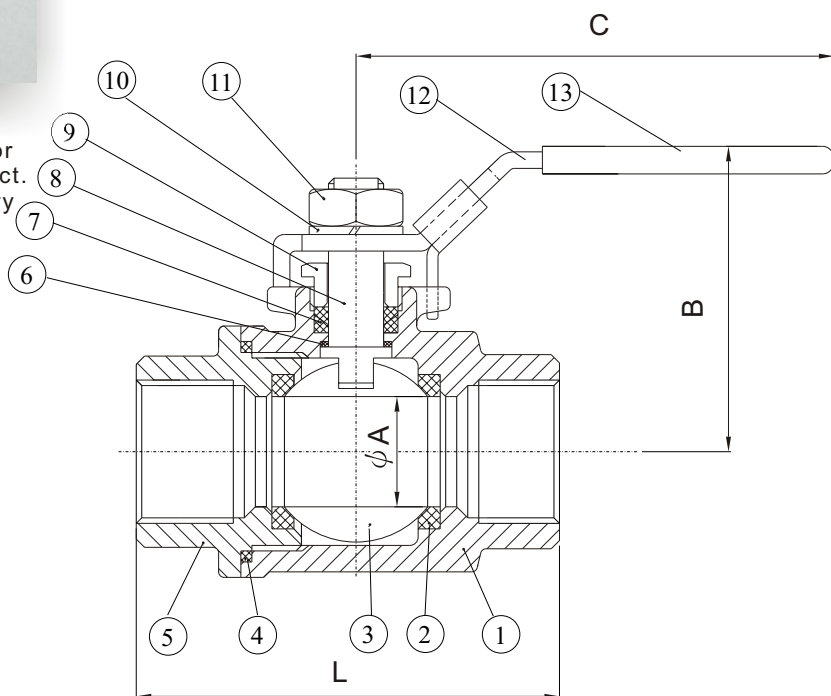
SPECIFICATION

- * For chemical and industrial applications
- * Blow-out proof stem design
- * 100% air tested under water at 80-100 psi
- * Working pressure: 1000 PSI
- * Temperature range -60°F to 430°F
- * End type: threaded

OPTION

- * Locking device
- * Oval handle
- * Butterfly handle

ZIPSON'S 201F, 2-piece ball valve is designed for most of the industrial pipe line as full port product. On this economic type, the valve become the very basic one in most industrial works.



MATERIALS LIST

ITEM	PART NAME	MATERIALS
1	BODY	CF8M
2	SEAT	PTFE
3	BALL	SS 316
4	GASKET	PTFE
5	END CAP	CF8M
6	THRUST WASHER	PTFE
7	STEM PACKING	PTFE
8	STEM	SS 316
9	GLAND	SS 304
10	STEM WASHER	SS 304
11	HANDLE NUT	SS 304
12	HANDLE	SS 304
13	SLEEVE	PLASTIC

DIMENSIONS (mm)

SIZE	L	A	B	C	W (kg)
1/4"	48.5	11.5	51.5	99	0.23
3/8"	48.5	12.5	51.5	99	0.21
1/2"	56	15	53	105	0.33
3/4"	65	20	56	105	0.44
1"	75	25	66	121	0.66
1 1/4"	87	32	74	137	1.05
1 1/2"	98	38	83	160	1.68
2"	125	50	92	190	2.87

PRESSURE/ TEMPERATURE

